

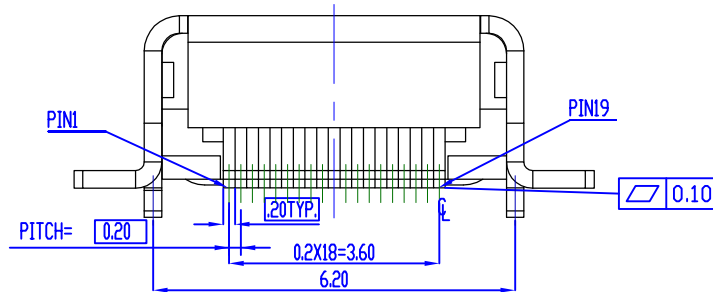
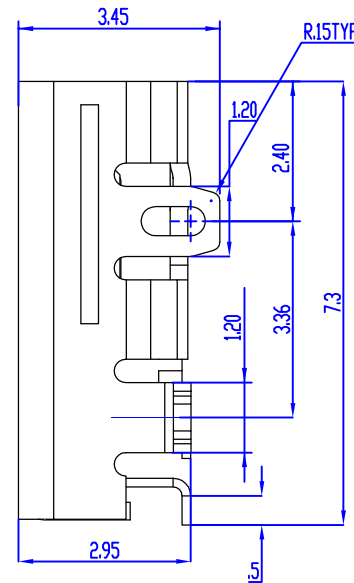
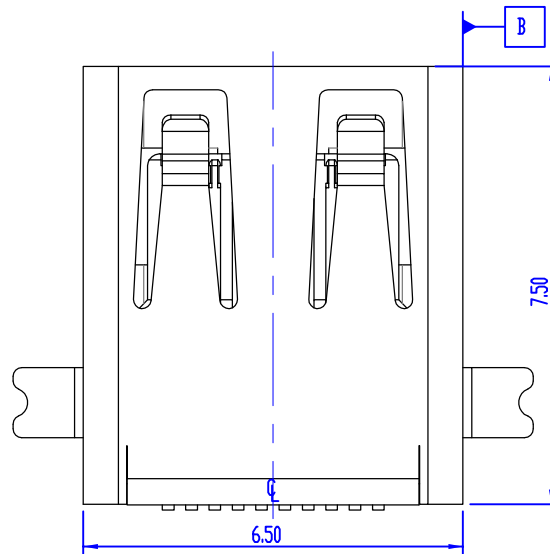
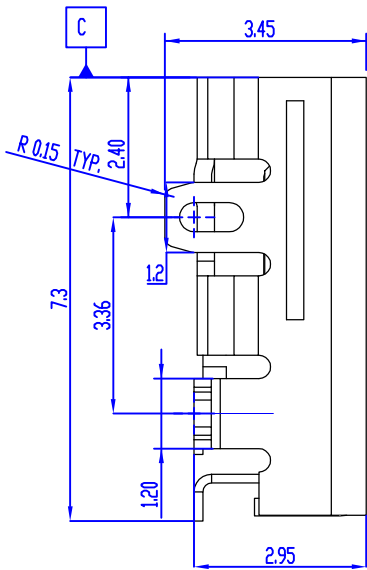
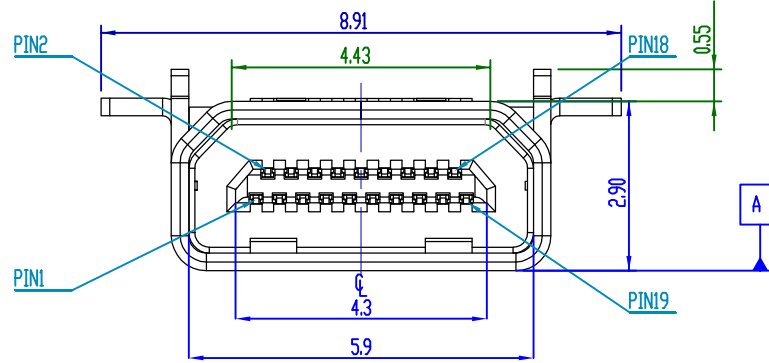
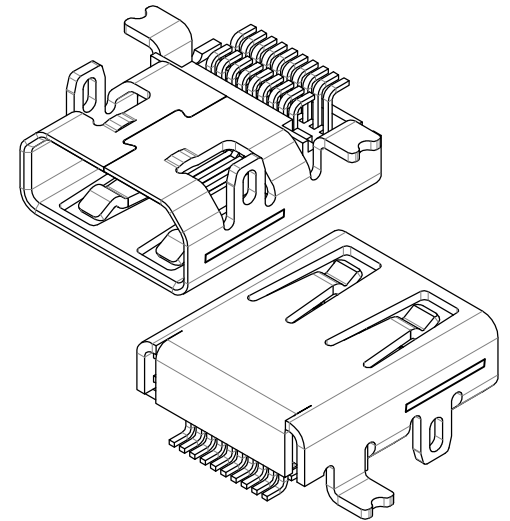
REV.	MODIFICATION	DRAWN	APPROVED
E	DIM. 7.3		

NOTES :

- Material :
Housing : High temperature thermoplastic,UL94-V0.
Color : White
Terminal : Copper Alloy.
Shield : Copper Alloy.
- Shield:
50 U" MIN. NICKEL PLATING OVER ALL.
- Part no :100-50002X

PLATING:

- Terminal : G/F on contact area,
50 U" Min. Tin Plating on Solder Tail
- Terminal : 5U" Gold Plating on contact area,
50 U" Min. Tin Plating on Solder Tail
- Terminal : 15 U" Gold on contact area,
50 U" Min. Tin Plating on Solder Tail



GENERAL TOLERANCE	
X.± 0.40	X.*± 5°
.X± 0.30	.X*± 2°
.XX± 0.20	.XX*± 1°
.XXX± 0.10	.XXX*± 0.5°

Coorle 库乐科技

HDMI TYPE D RECEPTACLE CONNECTOR

1.THIS PRODUCT DOESNT CONTAIN ENVIRONMENTAL HAZARDOUS MATERIALS PER DIRECTIVE 2002/95/EC FOR RoHS.
2.ALL RIGHTS RESERVED.PRODUCTS ARE COVERED BY PATENTS AND/OR PATENTS PENDING.

CUSTOMER DRAWING		PART NO. 100-50002X	DWG NO. 20150421	
APPROVAL	CHECKED	DRAWN	UNIT MM	SCALE NONE
				SHEET 1 / 3
				REV. E